



Wheels

At The CTD Group, our wheels, spindles and hubs work seamlessly together to provide you the highest quality and most cost-effective parts for your equipment.

Designed to handle the extremely rugged work conditions of the agricultural industry, our wheels are backed by a one year warranty. With more than 65 years in business, we stand behind the workmanship of our products and believe in going the extra mile for each and every customer.

Specifications

The bolt circle and pilot diameter of agricultural low speed wheels have been specifically designed not to accept automotive-industrial hubs.

Small Wheels

14", 15" and 16" diameter and from 4.5" to 10" in width.

4-, 5-, 6- & 8-hole bolt patterns. Designed for tractors & agricultural implements.

CTD Ltd. utilizes powder-coat paint for all our Agricultural Wheel products. A wide variety of color choices are available.

Wheels can be supplied with valve stem guard and special offsets, and can be painted in standard or non-standard colors. Wheel capacities are based on a free rolling application, for normal implement service, at tractor speed (20 m.p.h.).

Large Wheels

Large agricultural wheels range from 12" to 54" in diameter and 4.25" to 36" in width.

Wheel capacities are based on a free rolling application, for normal implement service, at tractor speed (20 m.p.h.).



14 Inch Wheels

RIM	WHEEL NO.	NUMBER OF BOLTS	BOLT CIRCLE	PILOT CIRCLE	OFFSET	CAPACITY (LBS.)	WHEELS PER PALLET
14 X 5 KB	14051-0431N1N	4	5.00	3.62	-.38	1250	56
14 X 5 KB	14051-0541N1N	5	5.50	4	-.25	2000	56
14 X 6 KB	14063-0541N1N	5	5.50	4	-.25	2000	48
14 X 6 KB	14063-0625N2N	6	6.00	4.62	+1.12	2800	48
14 X 8 KB	14081-0541N1N	5	5.50	4	-.25	2800	40
14 X 8 KB	14081-0625N2N	6	6.00	4.62	+1.12	2800	40

“U” Valve stem guards available at extra cost.

Other offsets available



15 Inch Wheels

RIM	WHEEL NO.	NUMBER OF BOLTS	BOLT CIRCLE	PILOT CIRCLE	OFFSET	CAPACITY (LBS.)	WHEELS PER PALLET
15 X 4.5 KB	15041-0432N1N	4	5.00	3.62	-.38	1250	64
15 X 4.5 KB	15041-0542N1N	5	5.50	4.00	-.25	2000	64
15 X 5 KB	15051-0432N1N	4	5.00	3.62	-.38	1250	56
15 X 5 KB	15051-0542N1N	5	5.50	4.00	-.25	2000	56
15 X 5 KB	15051-0624N2N	6	6.00	4.62	+1.12	2500	56
15 X 6 LB	15061-0542N1N	5	5.50	4.00	-.25	2000	48
15 X 6 LB	15061-0624N1N	6	6.00	4.62	+1.12	3300	48
15 X 6 LB	15061-0624R1N	6	6.00	4.62	+1.12	3300	48
15 X 6 LB	15061-0627N1N	6	6.00	4.62	+1.12	3800	48
15 X 6 LB	15061-0627R1N	6	6.00	4.62	+1.12	3800	48
15 X 6 LB	15061-0815N1N	8	8.00	6.00	-1.50	5000	48
15 X 8 LB	15081-0542N1N	5	5.50	4.00	-.25	2000	40
15 X 8 LB	15081-0624N1N	6	6.00	4.62	+1.12	3300	40
15 X 8 LB	15081-0624R1N	6	6.00	4.62	+1.12	3300	40
15 X 8 LB	15081-0627N1N	6	6.00	4.62	+1.12	3800	40
15 X 8 LB	15081-0627R1N	6	6.00	4.62	+1.12	3800	40
15 X 8 LB	15081-0815R6N	8	8.00	6.00	-1.60	5000	40
15 X 10 LB	15101-0624N1N	6	6.00	4.62	+1.12	3300	32
15 X 10 LB	15101-0627N1N	6	6.00	4.62	+1.12	3800	32
15 X 10 LB	15101-0627R1N	6	6.00	4.62	+1.12	3800	32
15 X 10 LB	15101-0815R3N	8	8.00	6.00	+1.12	5000	32

“U” Valve stem guards available at extra cost.

“R” Reversible configuration

Other offsets available





16 Inch Wheels

RIM	WHEEL NO.	NUMBER OF BOLTS	BOLT CIRCLE	PILOT CIRCLE	OFFSET	CAPACITY (LBS.)	WHEELS PER PALLET
16 X 6 LB	16061-0628N1N	6	6.00	4.62	+1.12	3800	36
16 X 6 LB	16061-0628R1N	6	6.00	4.62	+1.12	3800	36
16 X 6 LB	16061-0815N1N	8	8.00	6.00	+1.12	5000	36
16 X 8 LB	16081-0628N1N	6	6.00	4.62	+1.12	3800	30
16 X 8 LB	16081-0628R1N	6	6.00	4.62	+1.12	3800	30
16 X 8 LB	16081-0816R2N	8	8.00	6.00	+1.12	5000	30
16 X 10 LB	16101-0628N1N	6	6.00	4.62	+1.12	3800	24
16 X 10 LB	16101-0816R5N	8	8.00	6.00	+1.12	5000	24

"U" Valve stem guards available at extra cost. "R" Reversible configuration. Other offsets available.

16.1 Inch Wheels

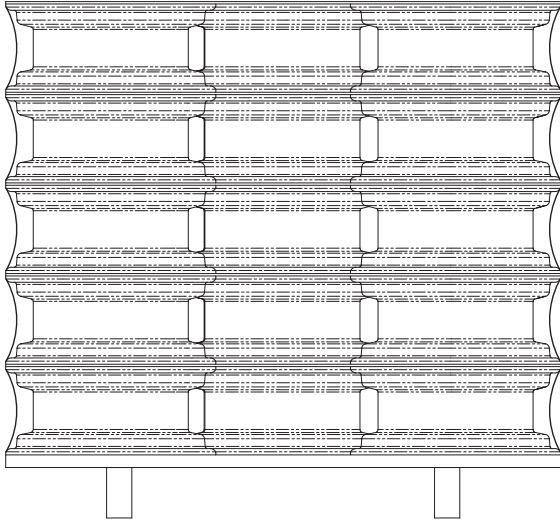
RIM	WHEEL NO.	NUMBER OF BOLTS	BOLT CIRCLE	PILOT CIRCLE	OFFSET	CAPACITY (LBS.)	WHEELS PER PALLET
16.1W11C	16111-0832N1N	8	8.00	6.02	-1.50	8000	15
16.1W11C	16111-0832N2N	8	8.00	6.02	+1.12	8000	15
16.1W14C	16141-0832N2N	8	8.00	6.02	+1.12	8000	15
16.1W16C	16161-0832N1N	8	8.00	6.02	-1.50	8000	10
16.1W16C	16161-0832N2N	8	8.00	6.02	+1.12	8000	10
16.1W16C	16161-0838N3N	8	8.00	6.02	+0.375	8000	10

"U" Valve stem guards available at extra cost. "R" Reversible configuration. Other offsets available.



Shrink Wrapped Pallet

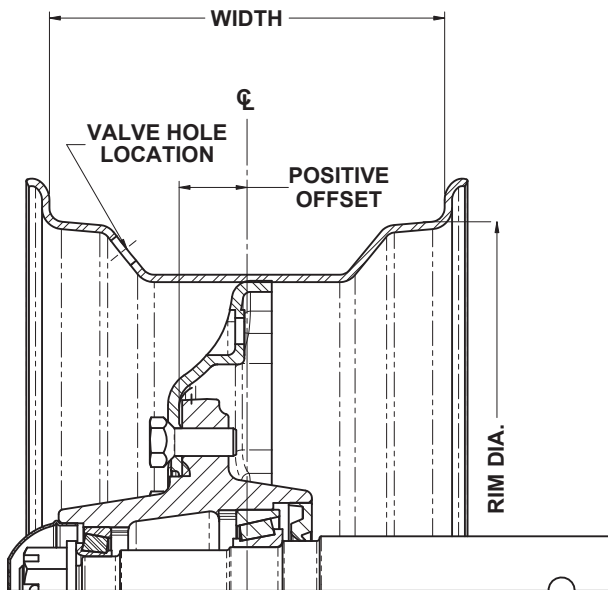
*All wheels are packaged for shipping as shown



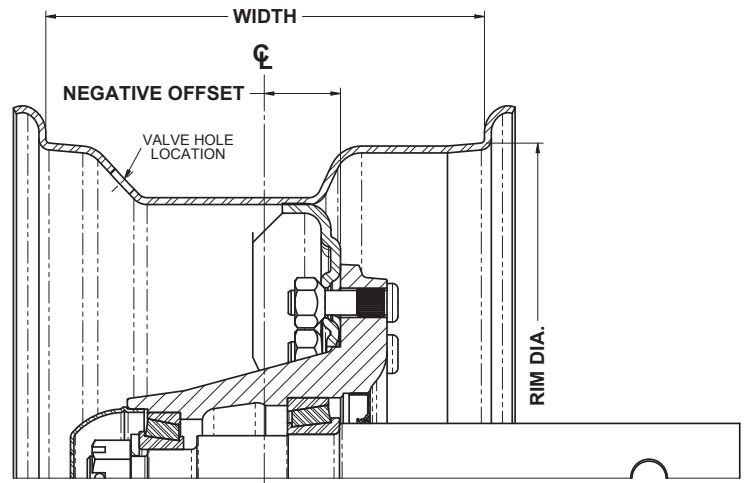
RIM SIZE	WHEEL PER PALLET	PALLET SIZES IN INCHES		
		WIDTH	LENGTH	HEIGHT
14 X 5 KB	56	44	53	44.25
14 X 6 KB	48	44	53	45
14 X 8 KB	40	44	53	47.25
15 X 4.5 KB	64	44	53	46
15 X 5 KB	56	44	53	44.25
15 X 6 LB	48	44	53	45.25
15 X 8 LB	40	44	53	47.75
15 X 10 LB	32	44	53	47
16 X 6 LB	36	44	53	45.25
16 X 8 LB	30	44	53	45.75
16 X 10 LB	24	44	53	47

*The CTD Group does not warrant or accept any responsibility for customer installed centers.

Wheel Offset - Positive



Wheel Offset - Negative



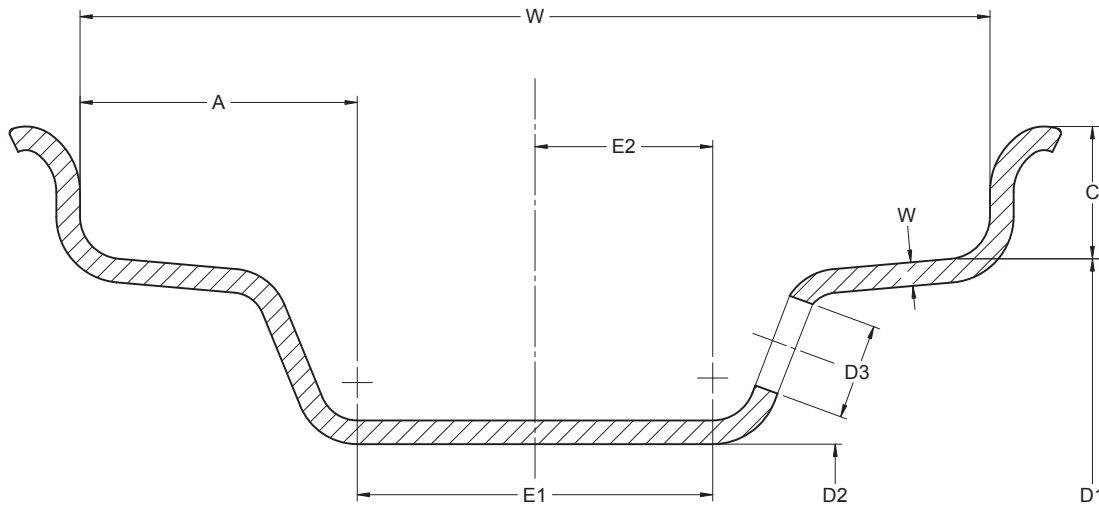
Offset: (as defined by S.A.E. standards) is the distance between mounting face of the flange and the rim centerline.

Positive Offset: (INSET) This distance is termed positive when the mounting face is outboard of the rim centerline.

Negative Offset: (OUTSET) This distance is termed negative when the mounting face is inboard of the rim centerline.



Drop Center Rims



RIM SIZE	ORDERING NO.	W	A	C	D ₁	D ₂	E ₁	E ₂	D ₃	T
14 X 5 KB	14051	5.00	.780	.770	13.968	12.000	1.969	.984	.450	.125
14 X 6 KB	14063	6.00	.780	.770	13.968	12.000	2.968	1.484	.450	.134
14 X 8 KB	14081	8.00	.780	.770	13.968	12.000	4.968	2.484	.450	.134
15 X 4.5 KB	15041	4.50	.780	.770	14.968	12.479	1.250	.625	.620	.125
15 X 5 KB	15051	5.0	.780	.770	14.968	12.479	1.174	.882	.620	.125
15 X 6 LB	15061	6.00	1.000	.850	14.968	13.479	2.344	1.172	.620	.156
15 X 8 LB	15081	8.00	1.000	.850	14.968	12.479	3.756	1.878	.620	.156
15 X 10 LB	15101	10.00	1.000	.850	14.968	12.479	3.781	2.593	.620	.156
16 X 6 LB	16061	6.00	1.000	.850	15.968	13.479	2.344	1.342	.620	.156
16 X 8 LB	16081	8.00	1.000	.850	15.968	13.479	3.756	1.878	.620	.156
16 X 10 LB	16101	10.00	1.000	.850	15.968	13.479	3.781	2.593	.620	.156

The CTD Group does not warrant or accept any responsibility for customer-installed centers.

